



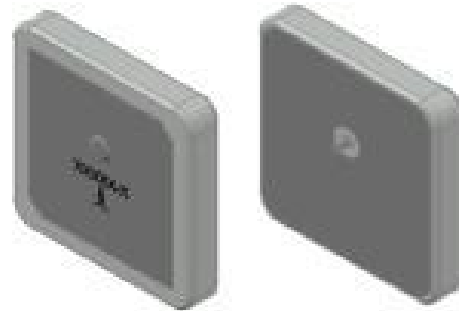
product name: Ceramic Antenna

product model: GL2450S25

Feature:

High gain , Compact Pin type

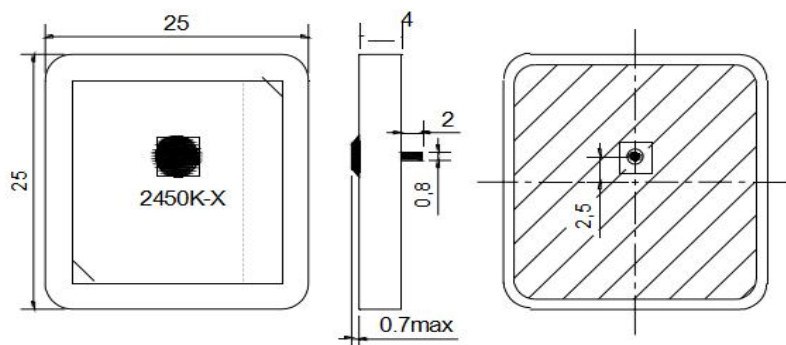
Customization available



### 1. Performance Characteristics

Center Frequency	2450 ± 5.0 MHz
Return Loss @ F0	≥ 15dB
Bandwidth @ 10dB Return loss	-
Polarization	RHCP
Gain @ Zenith	-
Ground plane	Φ 54 mm
Impedance	50 Ω
Frequency Temperature Coefficient	± 20 ppm/°C
Operation Temperature Range	-40 ~ +85 °C

### 2. Mechanical Drawing



The last "X" is the serial number of month

Tolerance Unless Otherwise Specified: ±0.30  
Unit: mm



### 3. Characteristic

